

CESAB CE100-300 1.0 – 3.0 tonne

Hand Pallet Trucks



Truck Specifications



CESAB
another way

CESAB CE230/O/Q/X/U Truck Specifications

IDENTIFICATION				
1.1	Manufacturer		CESAB	CESAB
1.2	Model		CE230/O/Q/X	CE230U
1.4	Operator type		Hand	Hand
1.5	Load capacity/rated load	Q	[kg]	2300
1.6	Load centre	c	[mm]	600
1.8	Load distance, centre of support arm wheel to face of forks	x	[mm]	945
1.9	Wheelbase	y	[mm]	1170
WEIGHT				
2.1	Service weight		[kg]	63
2.2	Axle load, with load, steer/fork wheel		[kg]	375/805
2.3	Axle load, without load, steer/fork wheel		[kg]	20/10
WHEELS				
3.1	Steer/fork wheel			Nylon* (X: Powerthane*)/Nylon*
3.2	Wheel size, front		[mm]	Ø175x60
3.3	Wheel size, rear		[mm]	Ø85x100 (Ø85x75 ¹⁾)
3.5	Wheels, number front/rear			2/2*
3.6	Track width, front	b ₁₀	[mm]	132
3.7	Track width, rear	b ₁₁	[mm]	364
DIMENSIONS				
4.4	Lift			
	Lift height	h ₃	[mm]	115
		h ₂₃	[mm]	200
4.9	Height of tiller in drive position, max.	h ₁₄	[mm]	1220
4.15	Height, fork lowered	h ₁₃	[mm]	85
4.19	Overall length	l ₁	[mm]	1500
4.20	Length to face of forks	l ₂	[mm]	365
4.21	Overall width	b ₁	[mm]	520
4.22	Fork dimensions	s/e/l	[mm]	45/156/1150*
4.25	Width over forks	b ₃	[mm]	520*
4.32	Ground clearance, centre of wheelbase	m ₂	[mm]	40
4.33	Aisle width for pallets 1000 x 1200 crossways	A _{st}	[mm]	1525
4.34	Aisle width for pallets 800 x 1200 lengthways	A _{st}	[mm]	1725
4.35	Turning radius	W _a	[mm]	1370

Truck performance and dimensions are nominal and subject to tolerances. Specifications are subject to change without notice

¹⁾ Bogie fork wheels

^{*}) Further alternatives are available and will produce other values



CESAB CE200L – CE200ST – CE300 Truck Specifications

IDENTIFICATION						
1.1	Manufacturer		CESAB	CESAB	CESAB	
1.2	Model		CE200L	CE200ST	CE300	
1.4	Operator type		Hand	Hand	Hand	
1.5	Load capacity/rated load	Q	[kg]	2000	2000	3000
1.6	Load centre	c	[mm]	600	600	600
1.8	Load distance, centre of support arm wheel to face of forks	x	[mm]	945	940	970
1.9	Wheelbase	y	[mm]	1170	1170	1185
WEIGHT						
2.1	Service weight		[kg]	63	70	105
2.2	Axle load, with load, steer/fork wheel		[kg]	375/805	375/805	489/1050
2.3	Axle load, without load, steer/fork wheel		[kg]	20/10	20/10	26/13
WHEELS						
3.1	Steer/fork wheel			Nylon*/Nylon*	Nylon/Nylon	Nylon*/Nylon*
3.2	Wheel size, front		[mm]	Ø140x60	Ø175x60	Ø175x60
3.3	Wheel size, rear		[mm]	Ø55x100 (Ø55x75 ¹⁾)	Ø85x100 (Ø85x75 ¹⁾)	Ø85x75
3.5	Wheels, number front/rear			2/2*	2/2*	2/4
3.6	Track width, front	b ₁₀	[mm]	132	132	132
3.7	Track width, rear	b ₁₁	[mm]	364	364	340
DIMENSIONS						
4.4	Lift			70	115	115
	Lift height			125	200	200
4.9	Height of tiller in drive position, max.			1202	1220	1220
4.15	Height, fork lowered			55	85	85
4.19	Overall length			1500	1520	1510
4.20	Length to face of forks			365	370	365
4.21	Overall width			520	520	520
4.22	Fork dimensions			45/156/1150*	45/156/1150	45/175/1150*
4.25	Width over forks			520*	520*	520*
4.32	Ground clearance, centre of wheelbase			10	40	40
4.33	Aisle width for pallets 1000 x 1200 crossways			1525	1525	1540
4.34	Aisle width for pallets 800 x 1200 lengthways			1725	1725	1740
4.35	Turning radius			1370	1370	1385

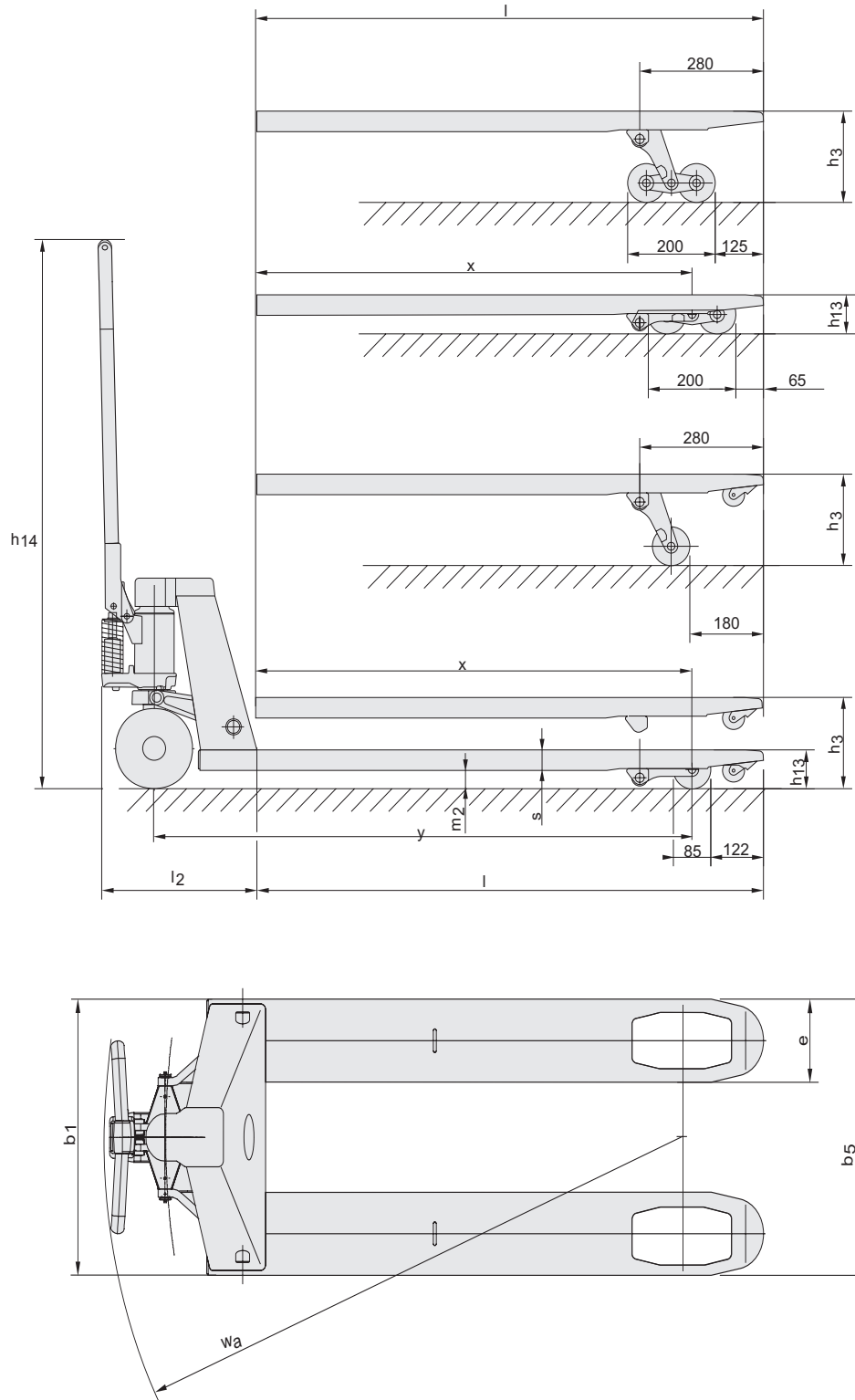
Truck performance and dimensions are nominal and subject to tolerances.
Specifications are subject to change without notice

¹⁾ Bogie fork wheels

^{*}) Further alternatives are available and will produce other values



CESAB Dimensional Drawings



The data in this specification sheet was determined based on our standard testing conditions. Operating performance may vary depending on the actual specification and condition of the truck as well as the condition of the operating area. Availability and specifications are determined regionally and are subject to change without notice. Please consult your authorised CESAB dealership for further details. SPEC_C E100-300_EN_2013 / P&B CE100-300 V2 EN – Copyright CESAB Material Handling Europe.

CESAB CE100HL/HLE Truck Specifications

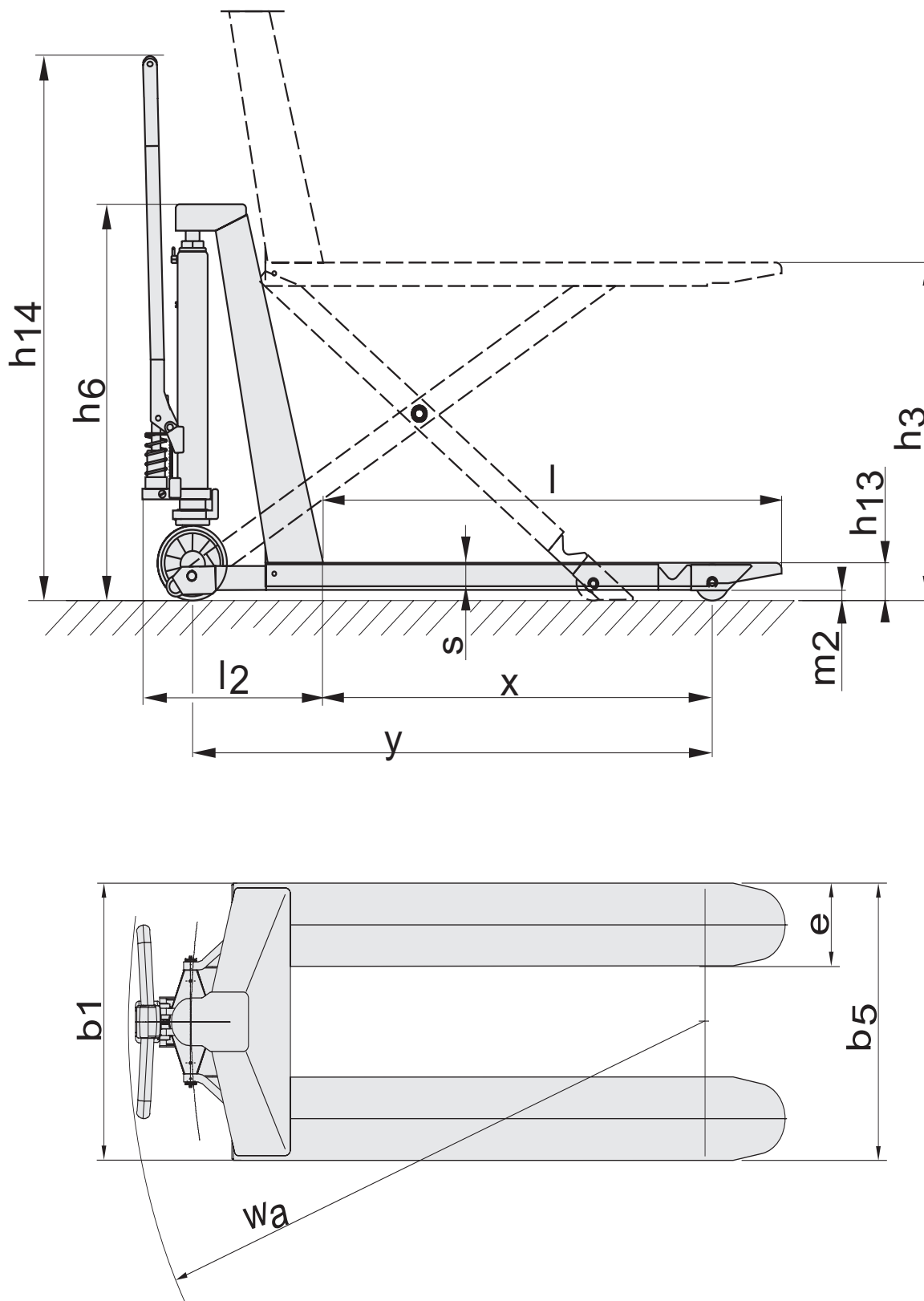
IDENTIFICATION				
1.1	Manufacturer		CESAB	CESAB
1.2	Model		CE100HL	CE100HLE
1.4	Operator type		Hand	Hand
1.5	Load capacity/rated load	Q	[kg]	1000
1.6	Load centre	c	[mm]	600
1.8	Load distance, centre of support arm wheel to face of forks	x	[mm]	980
1.9	Wheelbase	y	[mm]	1280
WEIGHT				
2.1	Service weight		[kg]	121
2.2	Axle load, with load, steer/support arm wheel		[kg]	205/370
2.3	Axle load, without load, steer/support arm wheel		[kg]	20/55
WHEELS				
3.1	Steer/fork wheel			Nylon
3.2	Wheel size, front		[mm]	Ø175x60
3.3	Wheel size, rear		[mm]	Ø75x75
3.5	Wheels, number front/rear			2/2
3.6	Track width, front	b ₁₀	[mm]	152
3.7	Track width, rear	b ₁₁	[mm]	410
DIMENSIONS				
4.4	Lift	h ₃	[mm]	710
	Lift height	h ₂₃	[mm]	800
4.9	Height of tiller in drive position, max.	h ₁₄	[mm]	1280
4.15	Height, fork lowered	h ₁₃	[mm]	90
4.19	Overall length	l ₁	[mm]	1655
4.20	Length to face of forks	l ₂	[mm]	465
4.21	Overall width	b ₁	[mm]	560
4.22	Fork dimensions	s/e/l	[mm]	50/160/1190
4.25	Width over forks	b ₃	[mm]	560
4.32	Ground clearance, centre of wheelbase	m ₂	[mm]	20
4.34	Aisle width for pallets 800 x 1200 lengthways	A _{st}	[mm]	1845
4.35	Turning radius	W _a	[mm]	1525
ELECTRIC MOTOR				
6.2	Lift motor rating at S3 15%		[kW]	-
6.4	Battery voltage, nominal capacity K5		[V/Ah]	-
6.5	Battery weight		[kg]	18

Truck performance and dimensions are nominal and subject to tolerances.
Specifications are subject to change without notice

*) Further alternatives are available and will produce other values



CESAB Dimensional Drawings



The data in this specification sheet was determined based on our standard testing conditions. Operating performance may vary depending on the actual specification and condition of the truck as well as the condition of the operating area. Availability and specifications are determined regionally and are subject to change without notice. Please consult your authorised CESAB dealership for further details. SPEC_CESAB_CE100-300_EN_2013 / P&B CE100-300 V2 EN - Copyright CESAB Material Handling Europe.

The data in this specification sheet was determined based on our standard testing conditions. Operating performance may vary depending on the actual specification and condition of the truck as well as the condition of the operating area. Availability and specifications are determined regionally and are subject to change without notice. Please consult your authorised CESAB dealership for further details. SPEC_CE100-300_EN_2013 / P&B CE100-300 V2 EN – Copyright CESAB Material Handling Europe.

